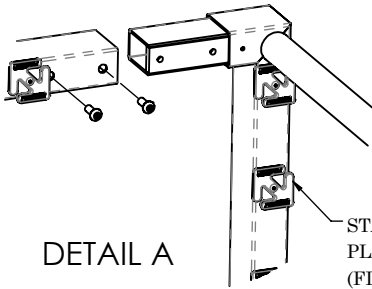
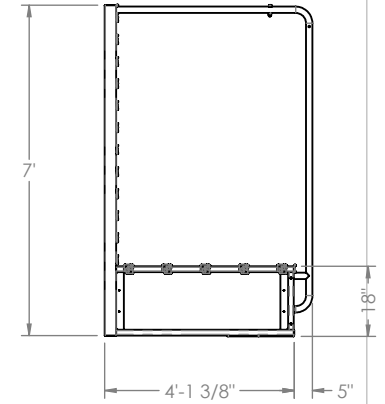
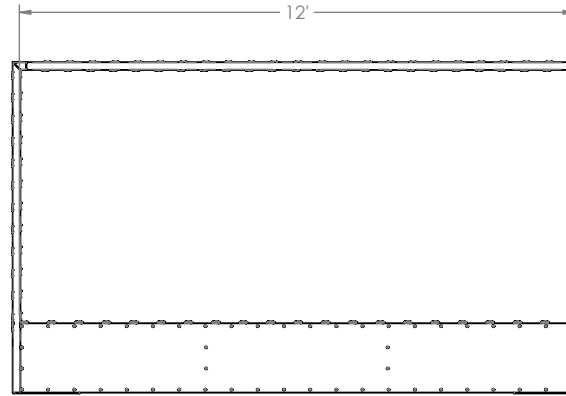
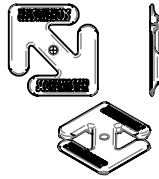


TAMPER PROOF STAINLESS  
STEEL ASSEMBLY SCREWS  
(TOOLS ARE SHIPPED WITH EACH GOAL)

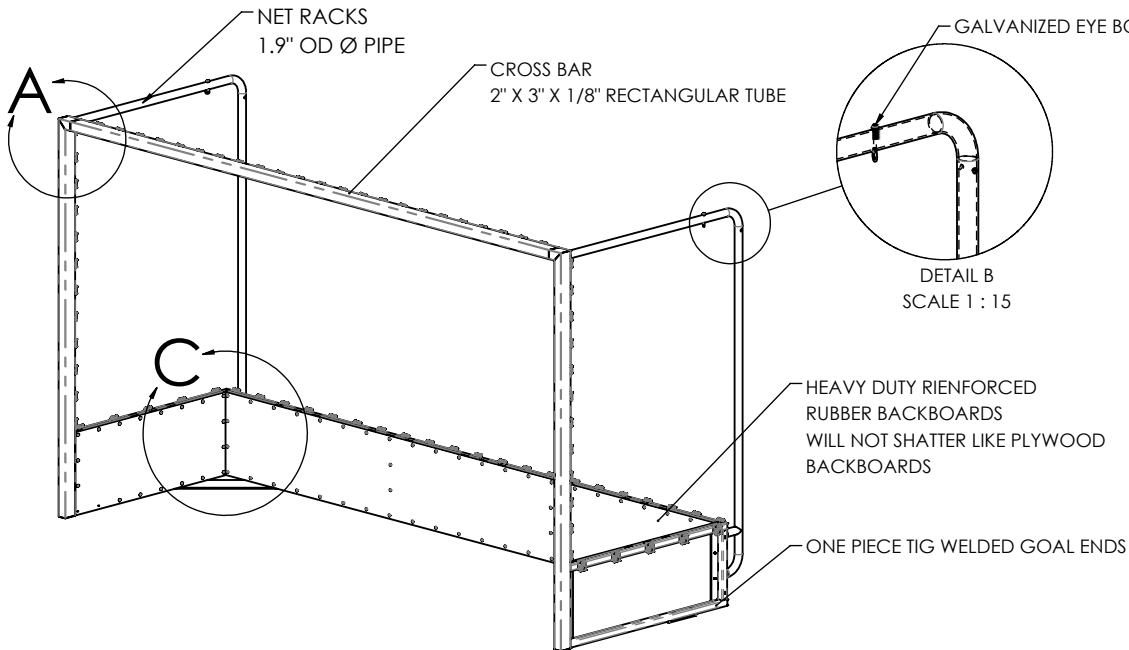


DETAIL A

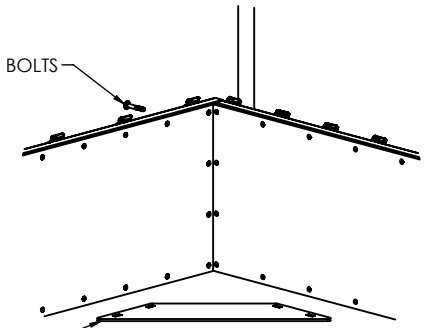
STANDARD RECESSED SMOOTH  
PLASTIC NET FASTENERS  
(FIT ALL NETS - NO OTHER PARTS  
TO PURCHASE. WILL NOT INJURE  
PLAYERS)



OVERALL DIMENSIONS



3/8" x 3.75" S.S. CARRIAGE BOLTS



GUSSET PLATE  
STRENGTHENS GOAL  
FOR LONGEVITY

DETAIL C  
SCALE 1 : 20

3/8" X 2.5" S.S. CARRIAGE BOLTS

BRIGHT ALUMINUM FINISH IS STANDARD.  
WHITE POWDER COAT PAINT AND NETS ARE  
OPTIONAL. GOALS ARE SHIPPED KNOCKED  
DOWN IN FOUR PARTS AND CAN BE EASILY  
ASSEMBLED BY 2 PERSONS IN MINUTES.  
EASY TO MOVE BY 2 PEOPLE.

GOALS EXCEED ALL INTERNATIONAL SAFETY  
AND GAME STANDARDS - 5 YEAR WARRANTY  
1 GOAL SET = 2 GOAL ENDS AS PICTURED.  
THE MOST PROFESSIONAL FIELD HOCKEY GOAL AVAILABLE ANYWHERE.



1-888-726-7627 www.scoremaster.com

**FH1200 FIELD HOCKEY GOAL  
WITH REAR CROSSBAR**