

ITEM	QTY.	PART NO.	DESCRIPTION
1	1	SM-F1100-NO-RUBBER	F1100 Futsal Goal Set
2	40	SM-NF-SQ	Square Net Fastener
3	1	SM-PARTSBOX-F11	Parts Box F11
4	28	SM-POP-NETFASTRIVET	Net Rivet
5	4	SM-RUB-F1100	F-1100 Base Rubber
6	12	FA-10-24X0.5-PH-RD-SS	10-24 X 1/2 Pan Head Robertson Drive Machine Screw SS

REVISIONS				
REV.	DESCRIPTION	DATE	APPROVED	CHECKED
00	PRELIMINARY	10/14/2009	JL	SW
01	UPDATED ASSY NET FASTENERS	1/18/2016	MM	SW
02	ADDED FASTENERS	11/8/2019	ML	KH

D

D

C

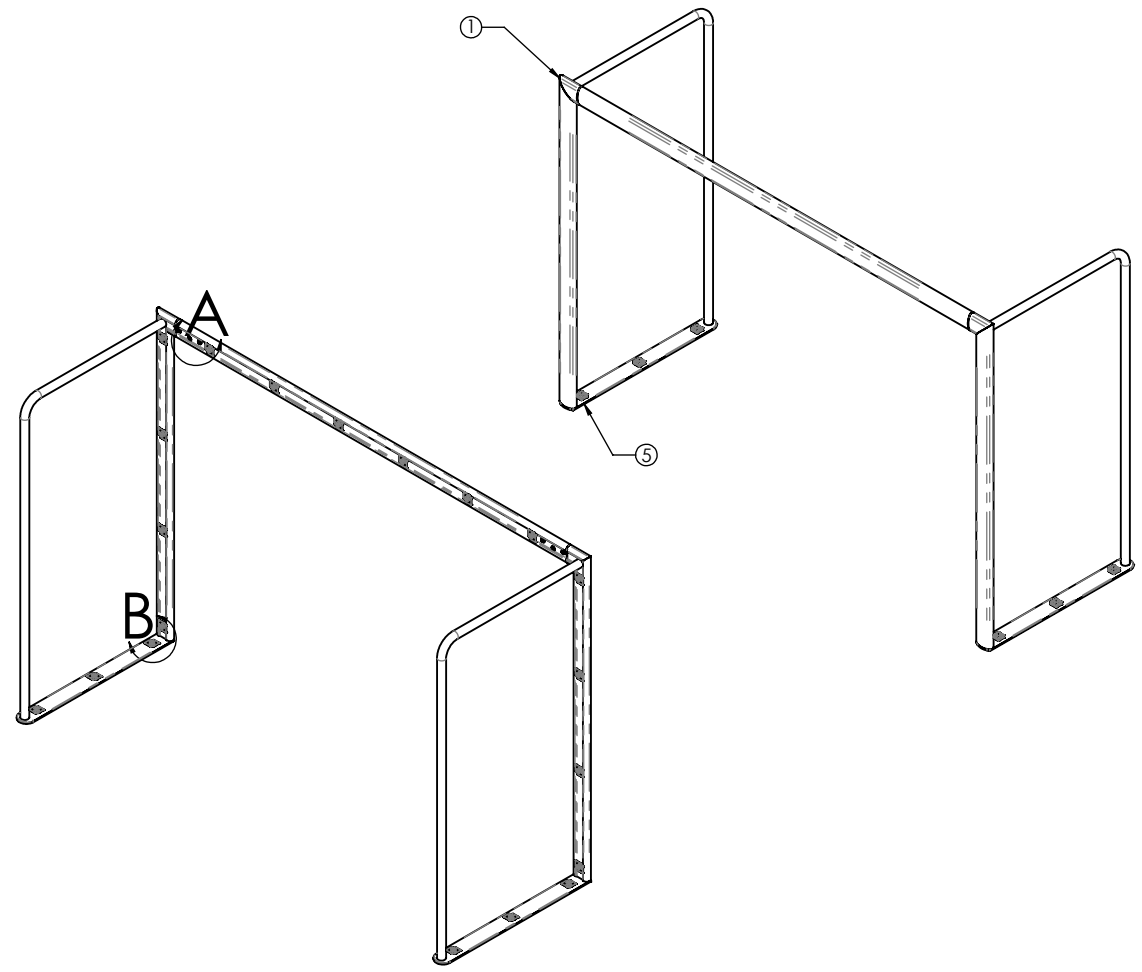
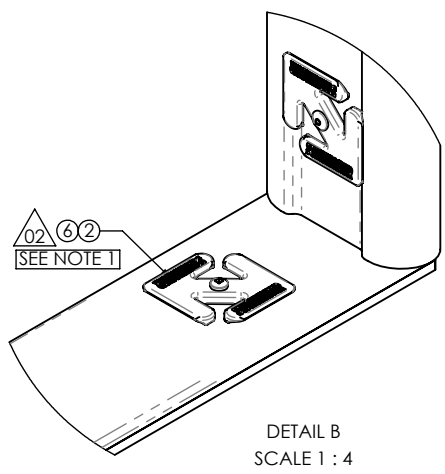
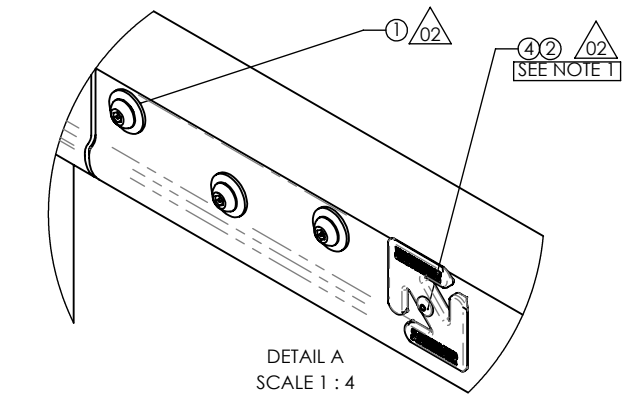
C

B

B

A

A



- NOTES:
- ORIENTATE SCOREMASTER LOGO AS SHOWN

NOTICE: THIS DRAWING MAY REVEAL DESIGNS OR INFORMATION PROPRIETARY TO PROFESSIONAL COMPONENTS LTD. BY ACCEPTANCE OF REPRODUCTIONS, RECIPIENTS AGREE TO PROTECT PROFESSIONAL COMPONENTS RIGHTS AND ARE WARNED AGAINST USE OF THE DOCUMENT FOR ANY PURPOSE OTHER THAN THAT FOR WHICH IT WAS ISSUED.

STANDARD FINISH 125
BREAK SHARP EDGES
DE-BURR HOLES

DIMENSIONS IN (INCH)

UNSPECIFIED TOLERANCES:
 X.X = ± 0.025
 X.XX = ± 0.01
 X.XXX = ± 0.003
 X.XXXX = ± 0.0005

FRACTIONS ± 1/32" OR AS NOTED
 ANGLES ± 0.5° OR AS NOTED

APPROVALS	DATE (MM/DD/YY)	MATERIAL
DRAWN JL	10/14/2009	ASSEMBLY
CHECKED SW	10/14/2009	NONE

CAD GENERATED DRAWING, DO NOT MANUALLY UPDATE
DO NOT SCALE DRAWING

2074 Henry Avenue
Sidney, BC, CANADA
V8L 5Y1
Tel: 250.656.6185
1-888-726-7627



THE ULTIMATE ALUMINUM SPORTS GOAL

F1100 Futsal Goal Set Aluminum Finish

PROCESS ASSY DWG. NO. SM-F1100

SHEET SIZE: A SCALE: 1:40 REV: 02 SHEET: 1 OF 3

8

7

6

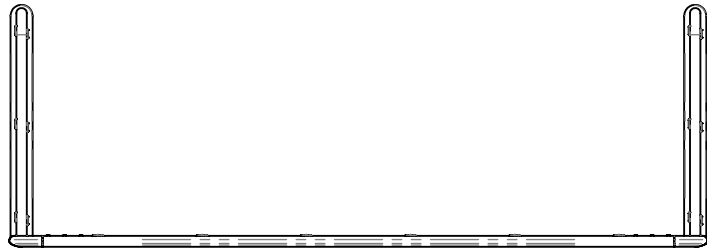
5

4

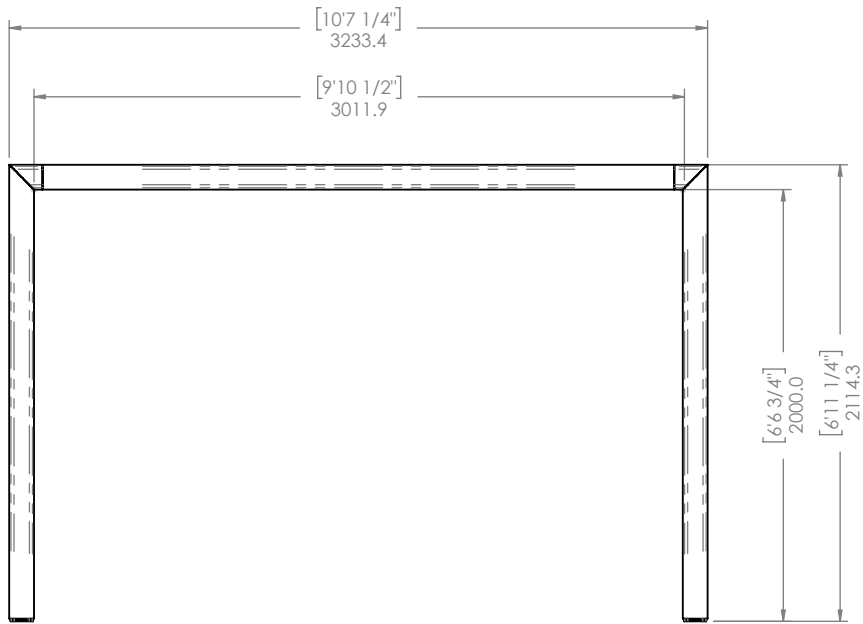
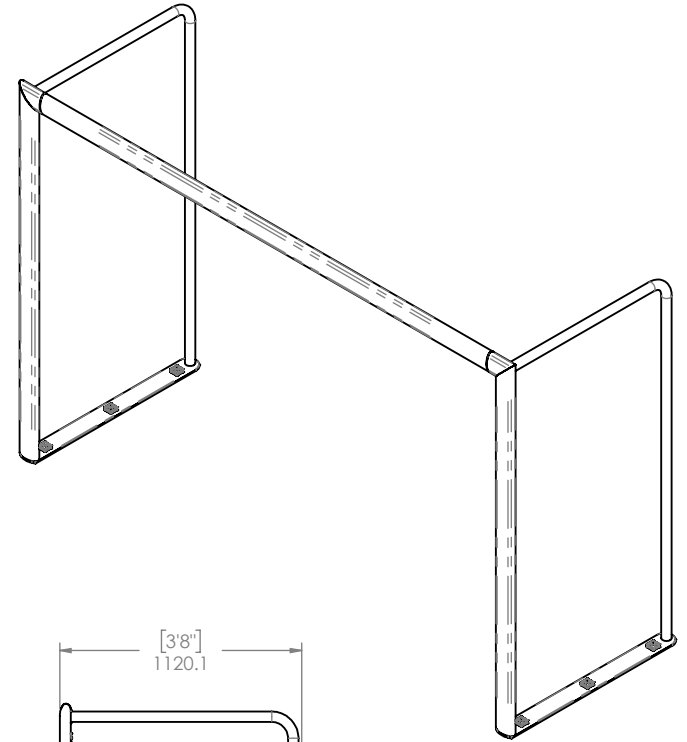
3

2

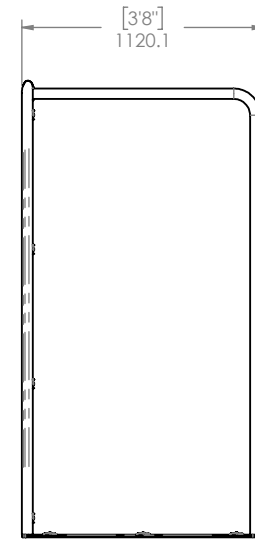
1



TOP



FRONT



SIDE

NOTICE: THIS DRAWING MAY REVEAL DESIGNS OR INFORMATION PROPRIETARY TO PROFESSIONAL COMPONENTS LTD. BY ACCEPTANCE OF REPRODUCTIONS, RECIPIENTS AGREE TO PROTECT PROFESSIONAL COMPONENTS RIGHTS AND ARE WARNED AGAINST USE OF THE DOCUMENT FOR ANY PURPOSE OTHER THAN THAT FOR WHICH IT WAS ISSUED.

STANDARD FINISH 125
BREAK SHARP EDGES
DE-BURR HOLES

DIMENSIONS IN (INCH)

UNSPECIFIED TOLERANCES:
 X.X = ± 0.025
 X.XX = ± 0.01
 X.XXX = ± 0.003
 X.XXXX = ± 0.0005

FRACTIONS ± 1/32" OR AS NOTED
 ANGLES ± 0.5° OR AS NOTED

APPROVALS	DATE (MM/DD/YY)	MATERIAL
DRAWN JL	10/14/2009	ASSEMBLY
CHECKED SW	10/14/2009	FINISH NONE
CAD GENERATED DRAWING, DO NOT MANUALLY UPDATE DO NOT SCALE DRAWING		

2074 Henry Avenue
 Sidney, BC, CANADA
 V8L 5Y1
 Tel: 250.656.6185
 1-888-726-7627



THE ULTIMATE ALUMINUM SPORTS GOAL

F1100 Futsal Goal Set Aluminum Finish

PROCESS REF	DWG. NO. SM-F1100
-------------	-------------------

SHEET SIZE: A	SCALE: 1:35	REV: 02	SHEET: 2 OF 3
---------------	-------------	---------	---------------