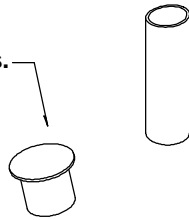
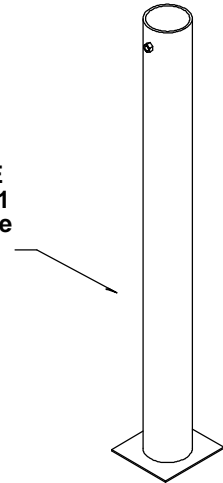


SAFETY CAPS
covers hole
when goals
are not installed
in ground sleeves.



GROUND SLEEVE
3 1/2" Scd. 40 6061
T-6 Aluminum Pipe
4 1/4" OD

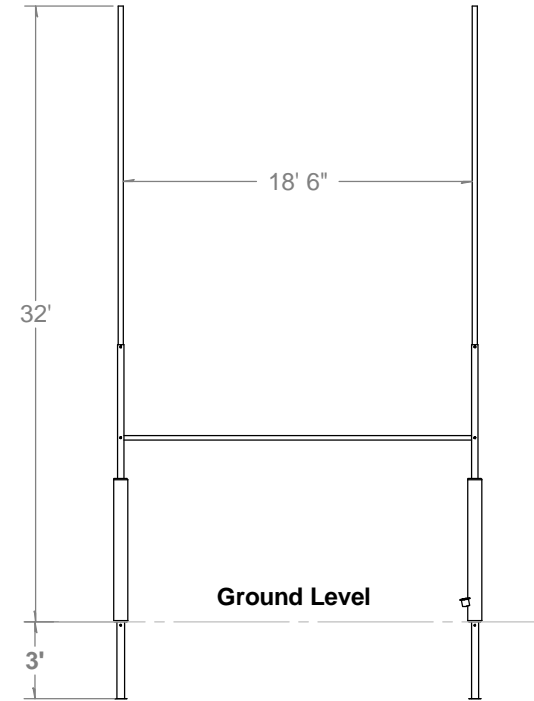
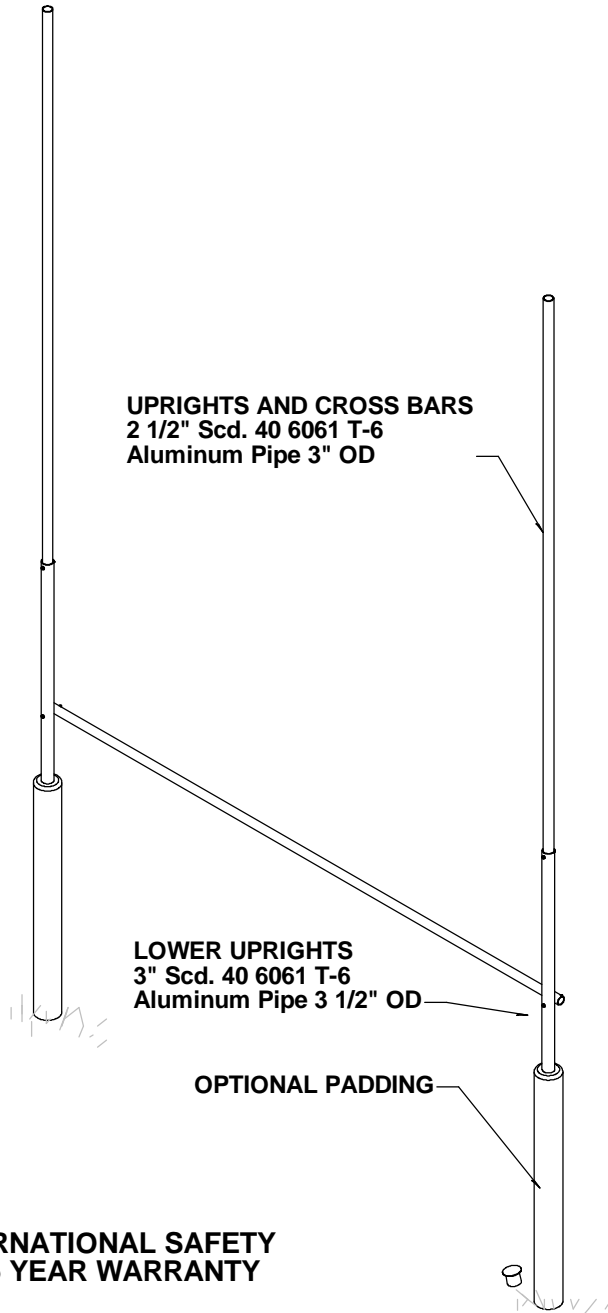


GROUND SLEEVE ASSEMBLY

UPRIGHTS AND CROSS BARS
2 1/2" Scd. 40 6061 T-6
Aluminum Pipe 3" OD

LOWER UPRIGHTS
3" Scd. 40 6061 T-6
Aluminum Pipe 3 1/2" OD

OPTIONAL PADDING



**DIMENSIONS SHOWN ARE STANDARD
CUSTOM SIZES and PAINT SCHEMES
ARE AVAILABLE ON REQUEST.**

**BRIGHT ALUMINUM FINISH IS STANDARD.
WHITE POWDER COAT PAINT IS OPTIONAL.
GOALS ARE SHIPPED KNOCKED DOWN AND
CAN BE EASILY ASSEMBLED BY 2 PEOPLE.**

**GOALS EXCEED ALL INTERNATIONAL SAFETY
AND GAME STANDARDS - 5 YEAR WARRANTY**

SCOREMASTER

1-888-726-7627 www.scoremaster.com

R-1000 Rugby Goals