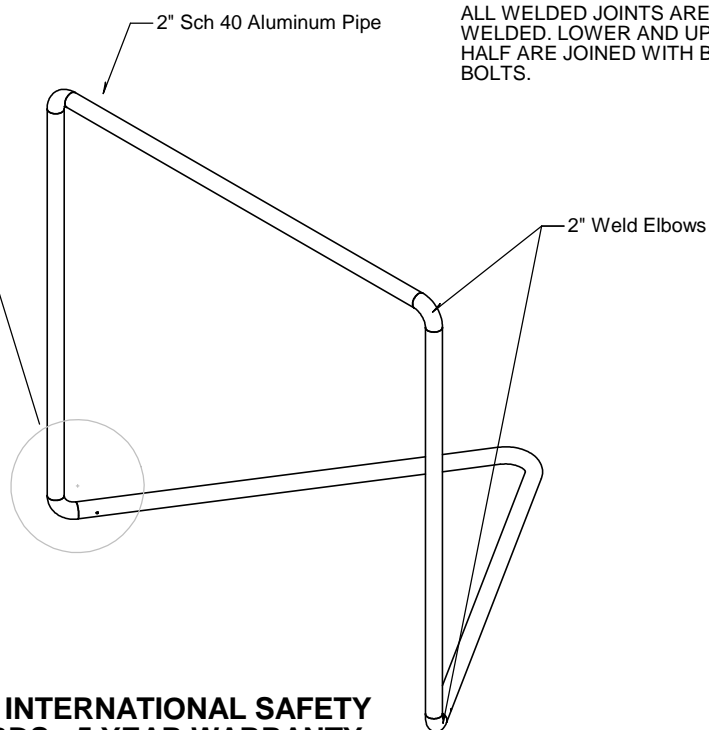
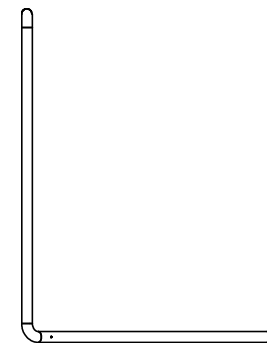
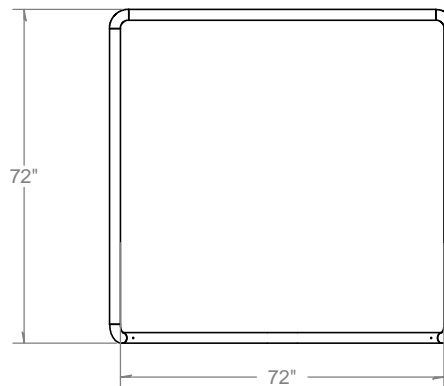
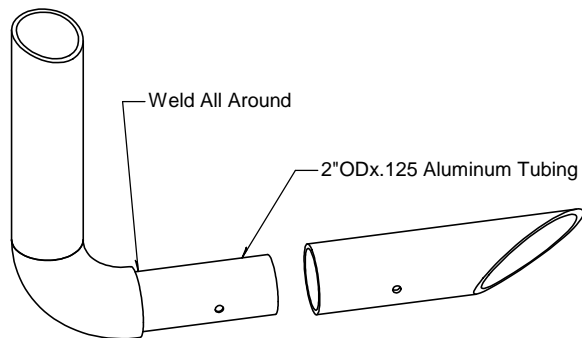


THE INFORMATION CONTAINED IN THIS DRAWING IS THE SOLE PROPERTY OF SCOREMASTER. ANY REPRODUCTION IN PART OR WHOLE WITHOUT THE WRITTEN PERMISSION OF SCOREMASTER IS PROHIBITED.



ALL WELDED JOINTS ARE TIG WELDED. LOWER AND UPPER HALF ARE JOINED WITH BARREL BOLTS.

BRIGHT ALUMINUM FINISH IS STANDARD. WHITE POWDER COAT PAINT AND NETS ARE OPTIONAL. GOALS ARE SHIPPED KNOCKED DOWN IN 2 PARTS AND CAN BE EASILY ASSEMBLED BY 1 PERSON IN MINUTES. EASY TO MOVE WITH 1 PERSON.

**GOALS EXCEED ALL INTERNATIONAL SAFETY AND GAME STANDARDS - 5 YEAR WARRANTY
1 GOAL SET = 2 GOAL ENDS AS PICTURED.**

SCOREMASTER

1-888-726-7627 www.scoremaster.com

L-1000 Lacrosse Goals