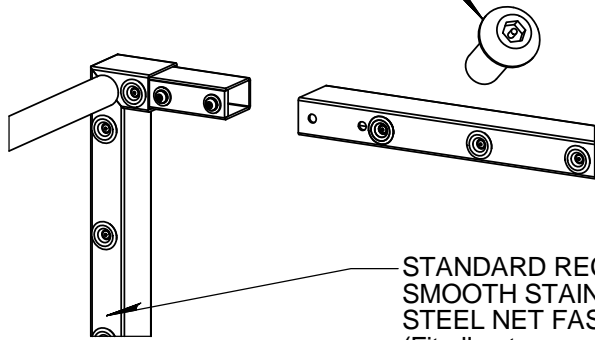
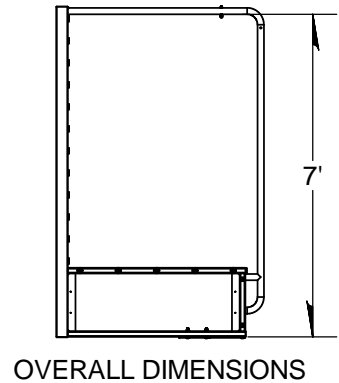


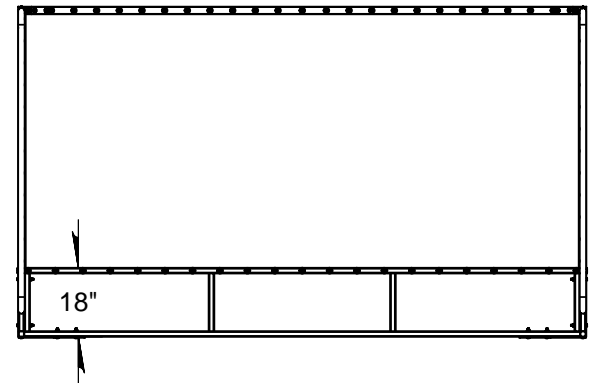
TAMPER PROOF STAINLESS  
STEEL ASSEMBLY SCREWS  
(Tools are shipped with each goal)



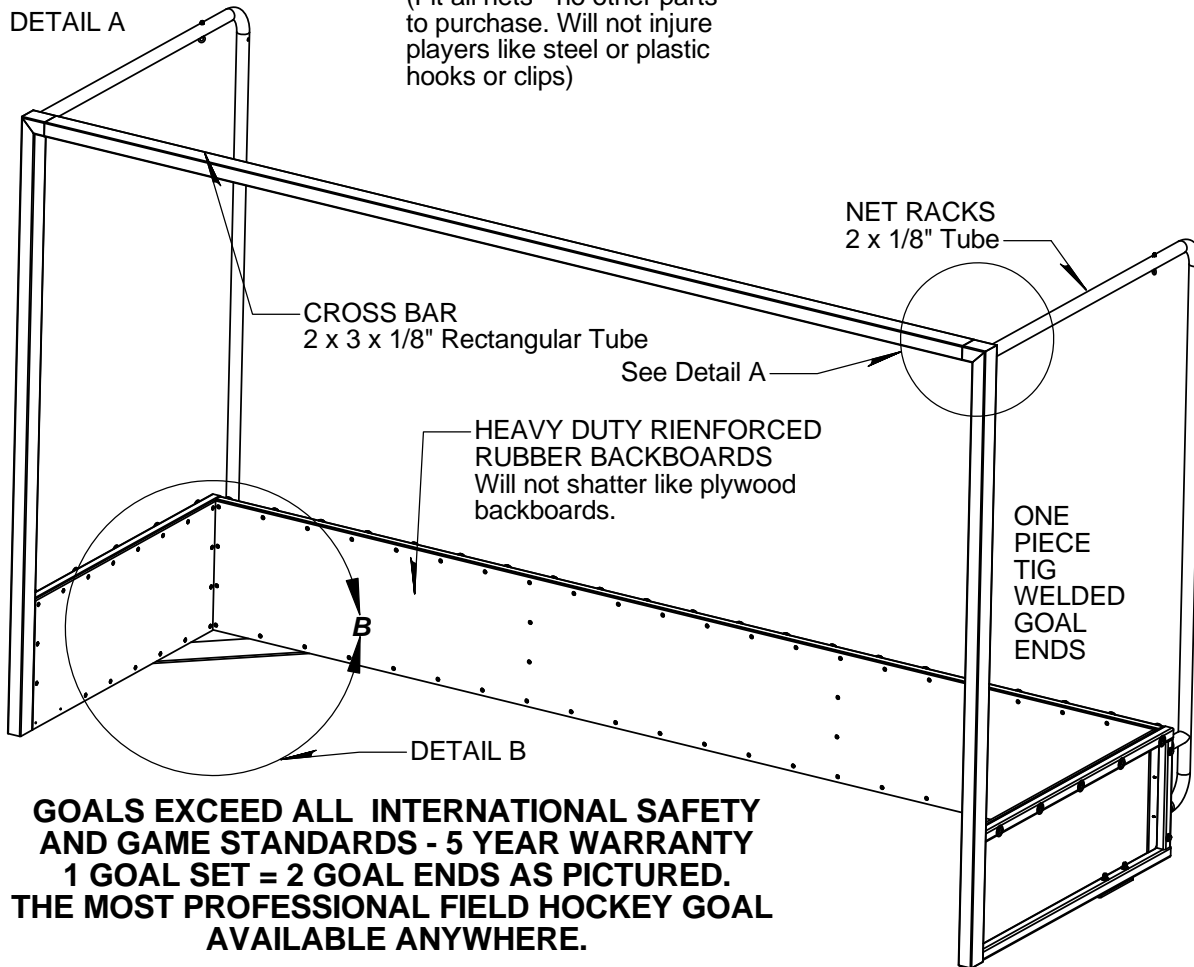
STANDARD RECESSED  
SMOOTH STAINLESS  
STEEL NET FASTENERS  
(Fit all nets - no other parts  
to purchase. Will not injure  
players like steel or plastic  
hooks or clips)



OVERALL DIMENSIONS



DETAIL A



CROSS BAR  
2 x 3 x 1/8" Rectangular Tube

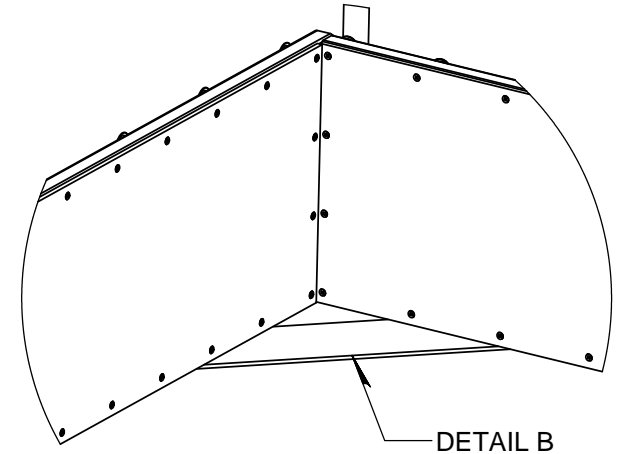
See Detail A

NET RACKS  
2 x 1/8" Tube

HEAVY DUTY RIENFORCED  
RUBBER BACKBOARDS  
Will not shatter like plywood  
backboards.

ONE  
PIECE  
TIG  
WELDED  
GOAL  
ENDS

DETAIL B



DETAIL B

**GOALS EXCEED ALL INTERNATIONAL SAFETY  
AND GAME STANDARDS - 5 YEAR WARRANTY  
1 GOAL SET = 2 GOAL ENDS AS PICTURED.  
THE MOST PROFESSIONAL FIELD HOCKEY GOAL  
AVAILABLE ANYWHERE.**

BRIGHT ALUMINUM FINISH IS STANDARD.  
WHITE POWDER COAT PAINT AND NETS ARE  
OPTIONAL. GOALS ARE SHIPPED KNOCKED  
DOWN IN FOUR PARTS AND CAN BE EASILY  
ASSEMBLED BY 2 PERSONS IN MINUTES.  
EASY TO MOVE BY 2 PEOPLE.

**SCOREMASTER**

1-888-726-7627 www.scoremaster.com

*FH-1200 Field Hockey Goal*