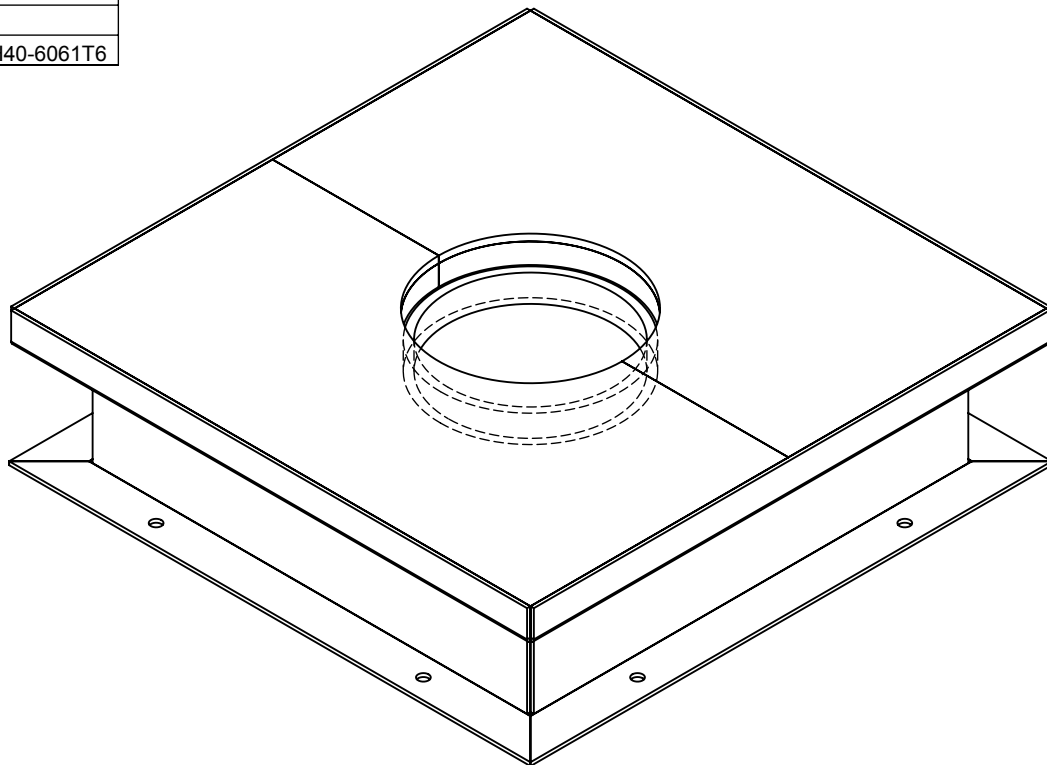
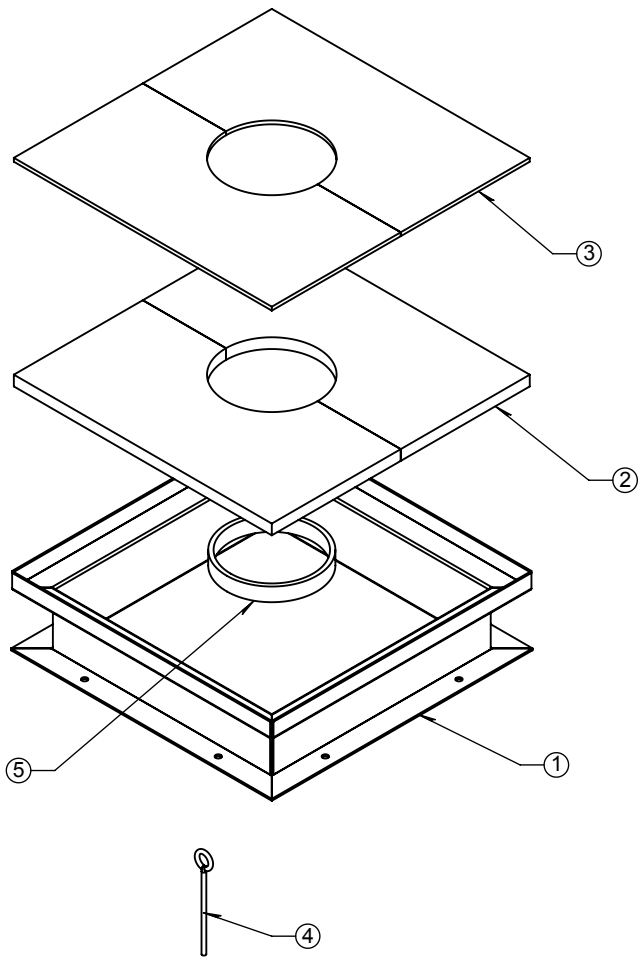


ITEM	QTY	PART NO.	DESCRIPTION	MATERIAL ID
1	4	SM-FB-1000-RP	FB1000 Recess Plate	AL-SHT-.125-5052H32
2	2	SM-FB-1000-RBC	FB-1000 RECESS BOX COVER	WD-MISC MAPLE
3	2	FB1000 Recess Box Cover Turf		.
4	1	FB1000 Recess Box Anchor Bolt		.
5	1	SM-FB-1000-RBS	Recess Box Spacer	AL-PIP-6SCH40-6061T6

REVISIONS			
REV.	DESCRIPTION	DATE	APPROVED
01	Revised to fit 6" Sch. 40 pipe	24/08/2011	EP



**TURF AND WOOD NOT INCLUDED  
TO BE SUPPLIED BY CUSTOMER**

NOTICE: THIS DRAWING MAY REVEAL DESIGNS OR INFORMATION PROPRIETARY TO PROFESSIONAL COMPONENTS LTD. BY ACCEPTANCE OF REPRODUCTIONS, RECIPIENTS AGREE TO PROTECT PROFESSIONAL COMPONENTS RIGHTS AND ARE WARNED AGAINST USE OF THE DOCUMENT FOR ANY PURPOSE OTHER THAN THAT FOR WHICH IT WAS ISSUED.


STANDARD FINISH 1.25  
BREAK SHARP EDGES  
DE-BURR HOLES

DIMENSIONS IN (INCH)

UNSPECIFIED TOLERANCES:  
X.X = ± 0.025  
X.XX = ± 0.01  
X.XXX = ± 0.003  
X.XXXX = ± 0.0005

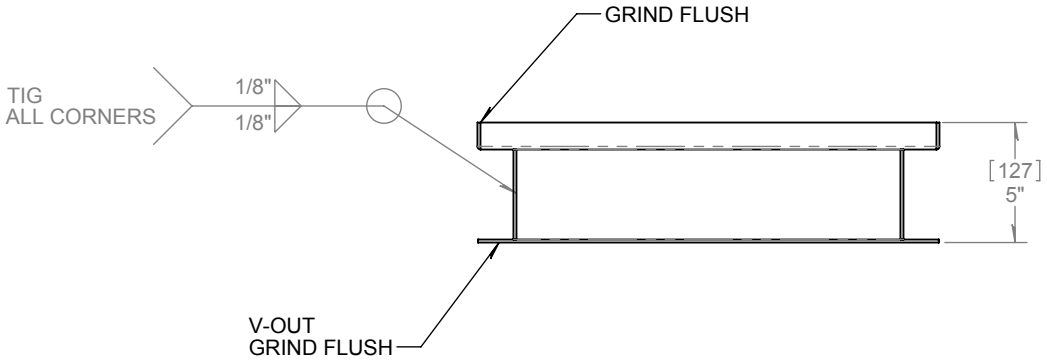
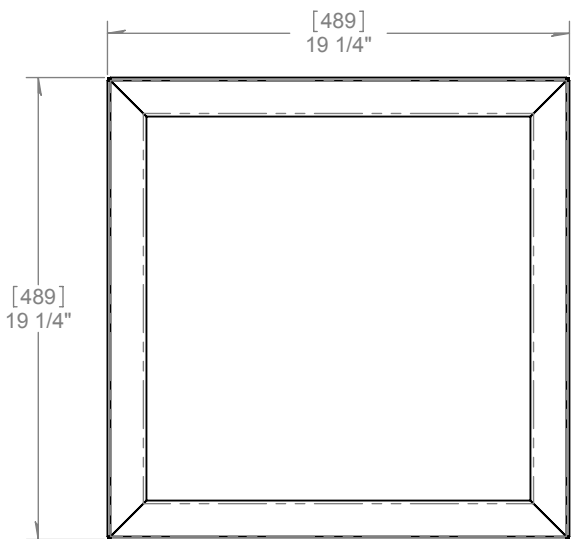
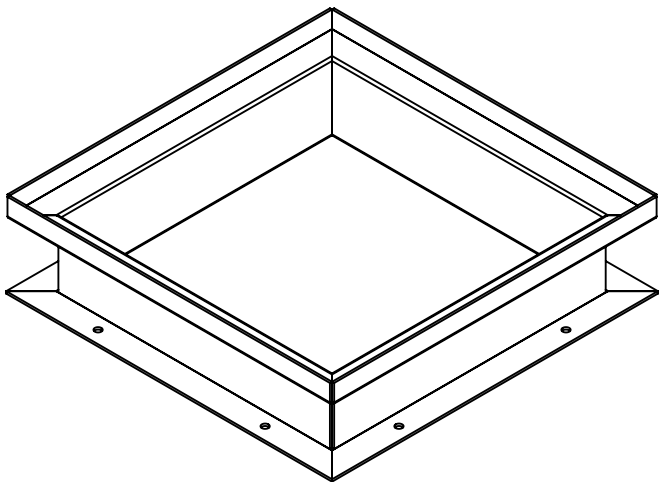
FRACTIONS ± 1/32" OR AS NOTED  
ANGLES ± 0.5° OR AS NOTED

APPROVALS	DATE (MM/DD/YY)	MATERIAL
		ALUMINUM ASSEMBLY
DRAWN ---	---/---/---	FINISH NONE
CHECKED ---	---/---/---	CAD GENERATED DRAWING, DO NOT MANUALLY UPDATE DO NOT SCALE DRAWING

2074 Henry Avenue Sidney, BC, CANADA V8L 5Y1 Tel: 250.656.6185 1-888-726-7627	
PROCESS ASS	DWG. NO. SM-FB-1000-RB

THE ULTIMATE ALUMINUM SPORTS GOAL	
FB-1000 Ground Sleeve Recess Box	
SHEET SIZE: A	SCALE: 1:5
REV.: 01	SHEET: 1 OF 3

REVISIONS			
REV.	DESCRIPTION	DATE	APPROVED
01	Revised to fit 6" Sch. 40 pipe	24/08/2011	EP



NOTICE: THIS DRAWING MAY REVEAL DESIGNS OR INFORMATION PROPRIETARY TO PROFESSIONAL COMPONENTS LTD. BY ACCEPTANCE OF REPRODUCTIONS, RECIPIENTS AGREE TO PROTECT PROFESSIONAL COMPONENTS RIGHTS AND ARE WARNED AGAINST USE OF THE DOCUMENT FOR ANY PURPOSE OTHER THAN THAT FOR WHICH IT WAS ISSUED.

STANDARD FINISH 1.25  
BREAK SHARP EDGES  
DE-BURR HOLES

**DIMENSIONS IN (INCH)**  
UNSPECIFIED TOLERANCES:  
X.X = ± 0.025  
X.XX = ± 0.01  
X.XXX = ± 0.003  
X.XXXX = ± 0.0005  
FRACTIONS ± 1/32" OR AS NOTED  
ANGLES ± 0.5° OR AS NOTED

APPROVALS	DATE (MM/DD/YY)	MATERIAL
---	--/--	ASSEMBLY
---	--/--	FINISH
---	--/--	CAD GENERATED DRAWING, DO NOT MANUALLY UPDATE DO NOT SCALE DRAWING

2074 Henry Avenue Sidney, BC, CANADA V8L 5Y1 Tel: 250.656.6165 1-888-726-7627	PROCESS <b>WELDMENT</b>	DWG. NO. <b>SM-FB-1000-RB</b>
---	----------------------------	----------------------------------



THE ULTIMATE ALUMINUM SPORTS GOAL			
FB-1000 Ground Sleeve Recess Box			
SHEET SIZE: A	SCALE: 1:8	REV.: 01	SHEET: 2 OF 3

8 7 6 5 4 3 2 1

D  
C  
B  
A

D  
C  
B  
A

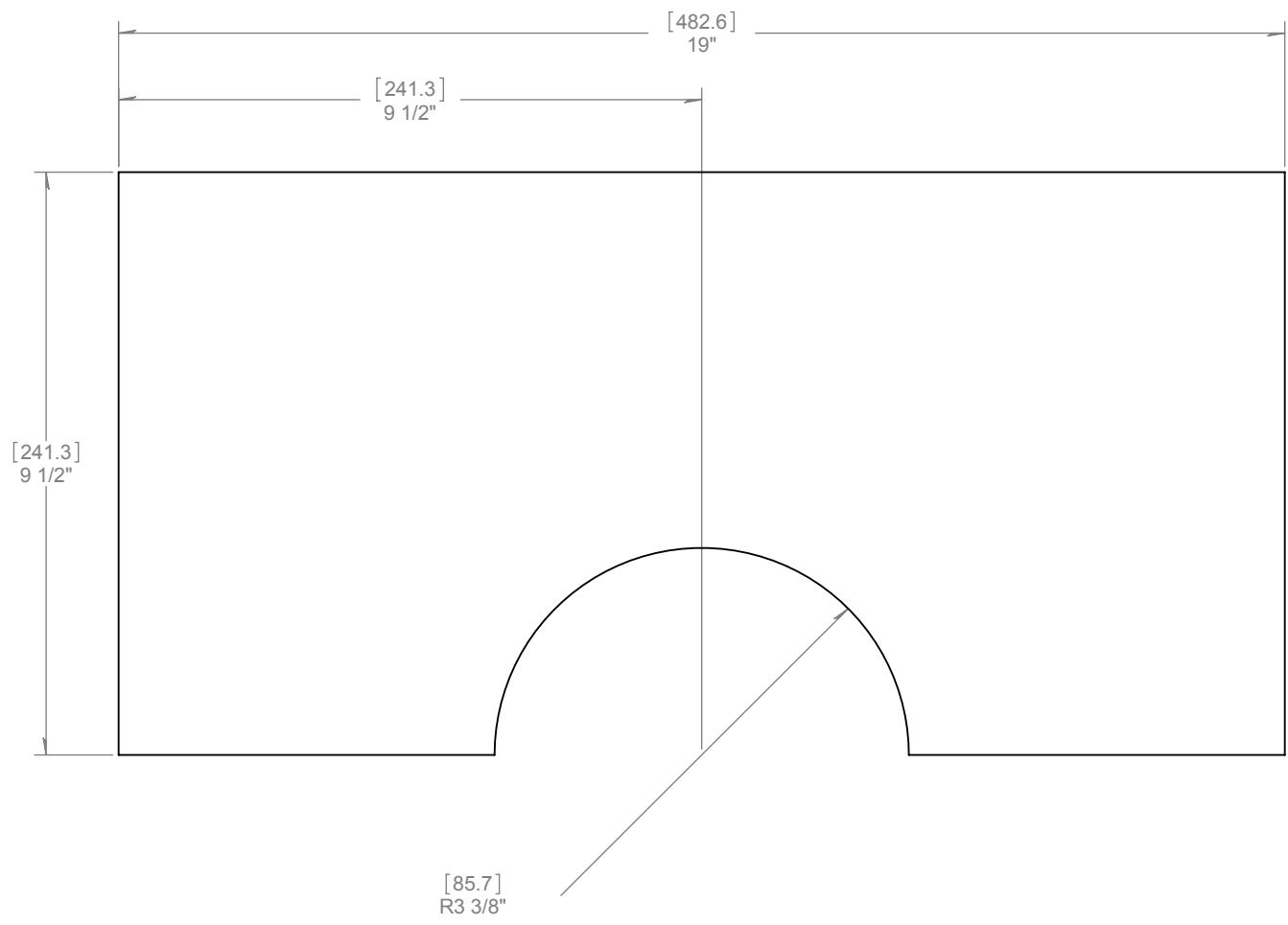
8 7 6 5 4 3 2 1

8 7 6 5 4 3 2 1

REVISIONS			
REV.	DESCRIPTION	DATE	APPROVED
01	Centre hole enlarged to fit 6" Sch. 40 pipe	24/08/2011	EP

D  
C  
B  
A

D  
C  
B  
A



NOTICE: THIS DRAWING MAY REVEAL DESIGNS OR INFORMATION PROPRIETARY TO PROFESSIONAL COMPONENTS LTD. BY ACCEPTANCE OF REPRODUCTIONS, RECIPIENTS AGREE TO PROTECT PROFESSIONAL COMPONENTS RIGHTS AND ARE WARNED AGAINST USE OF THE DOCUMENT FOR ANY PURPOSE OTHER THAN THAT FOR WHICH IT WAS ISSUED.

STANDARD FINISH 1.25  
BREAK SHARP EDGES  
DE-BURR HOLES

**DIMENSIONS IN (INCH)**  
UNSPECIFIED TOLERANCES:  
X.X = ± 0.025  
X.XX = ± 0.01  
X.XXX = ± 0.003  
X.XXXX = ± 0.0005  
FRACTIONS ± 1/32" OR AS NOTED  
ANGLES ± 0.5° OR AS NOTED

APPROVALS	DATE (MM/DD/YY)
DRAWN ---	---/---/---
CHECKED ---	---/---/---

MATERIAL	FINISH
WD-MISC MAPLE	NONE
CAD GENERATED DRAWING, DO NOT MANUALLY UPDATE DO NOT SCALE DRAWING	

2074 Henry Avenue  
Sidney, BC, CANADA  
V8L 5Y1  
Tel: 250.656.6165  
1-888-726-7627



PROCESS: WOOD  
DWG. NO.: SM-FB-1000-RBC

THE ULTIMATE ALUMINUM SPORTS GOAL			
FB-1000 RECESS BOX COVER			
SHEET SIZE: A	SCALE: 1:3	REV.: 01	SHEET: 3 OF 3

8 7 6 5 4 3 2 1