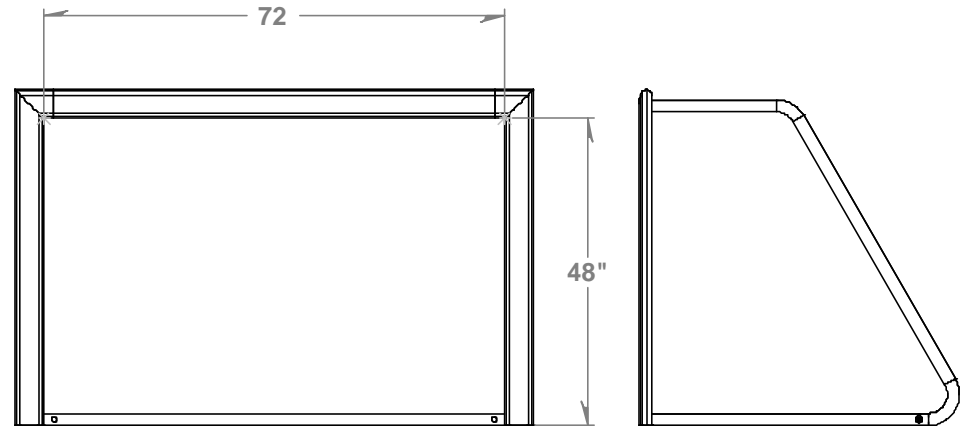
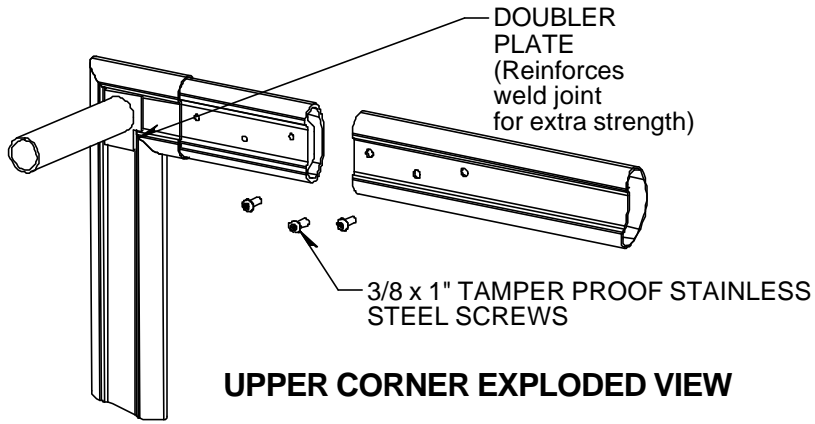
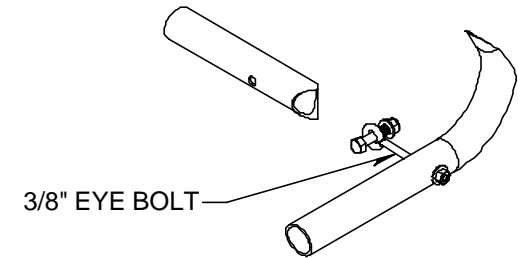
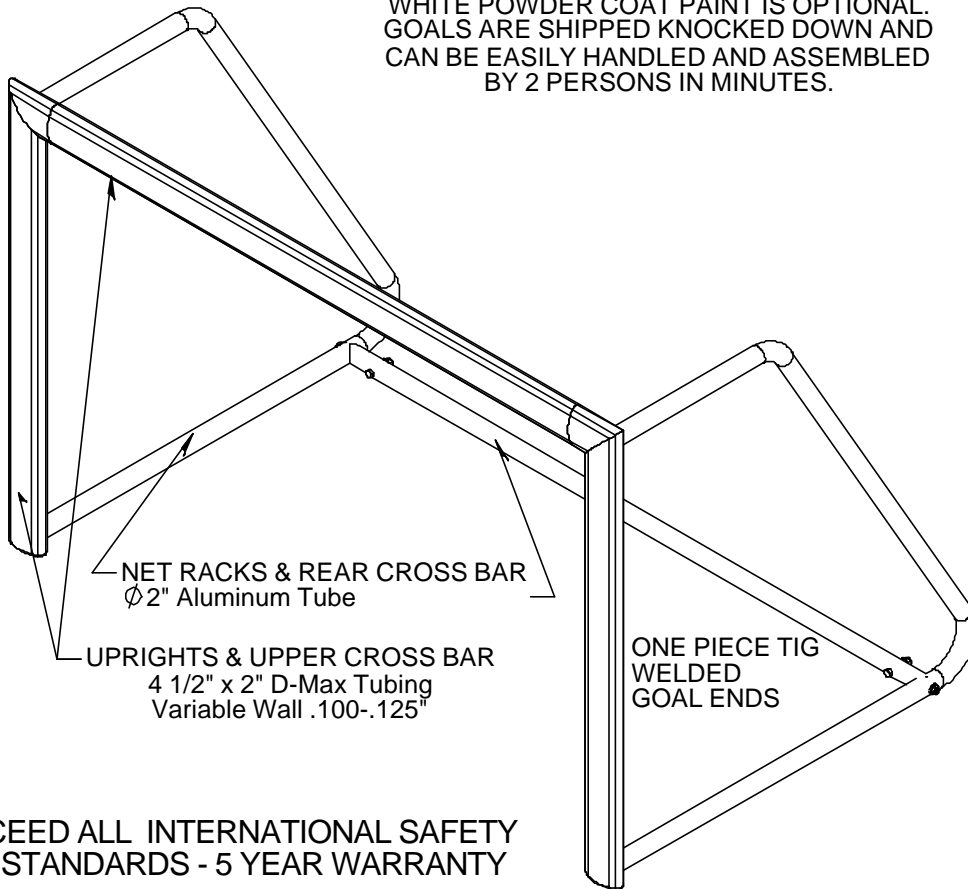


THE INFORMATION CONTAINED IN THIS DRAWING IS THE SOLE PROPERTY OF SCOREMASTER. ANY REPRODUCTION IN PART OR WHOLE WITHOUT THE WRITTEN PERMISSION OF SCOREMASTER IS PROHIBITED.



DEEP NET RACKS ADD STABILITY.
(Goals won't tip over - Ground anchors supplied as standard equipment.)

BRIGHT ALUMINUM FINISH IS STANDARD
WHITE POWDER COAT PAINT IS OPTIONAL.
GOALS ARE SHIPPED KNOCKED DOWN AND
CAN BE EASILY HANDLED AND ASSEMBLED
BY 2 PERSONS IN MINUTES.



REAR CORNER JOINT EXPLODED VIEW

GOALS EXCEED ALL INTERNATIONAL SAFETY AND GAME STANDARDS - 5 YEAR WARRANTY



DATE:

DM600 Soccer Goals