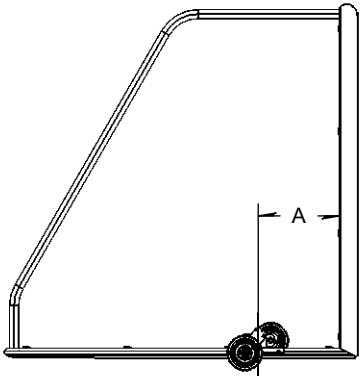
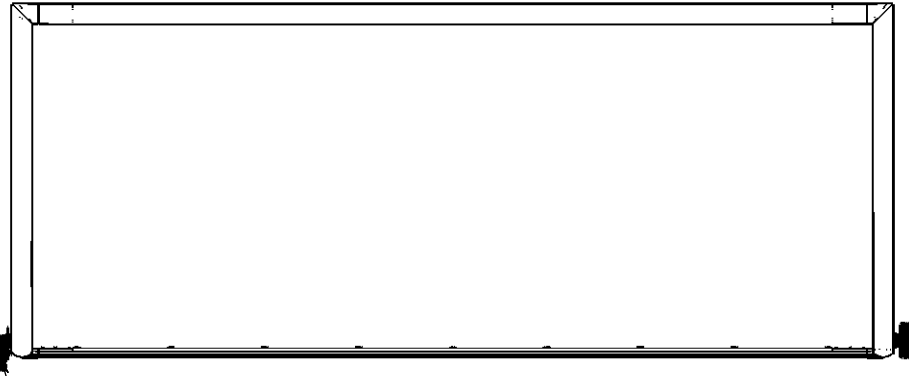


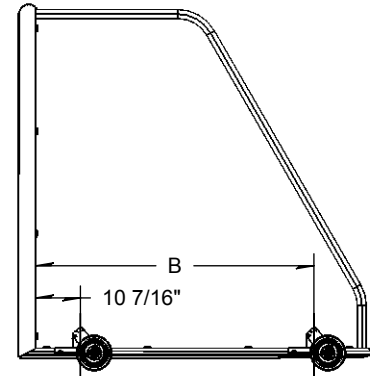
REVISIONS			
REV.	DESCRIPTION	DATE	APPROVED
01	WHEEL BEARING ADDED	9/4/2012	LA



2 WHEELS PER GOAL
USE DIMENSIONS FROM TABLE BELOW
DIMENSION 'A' IS TO CENTER OF CHASSIS



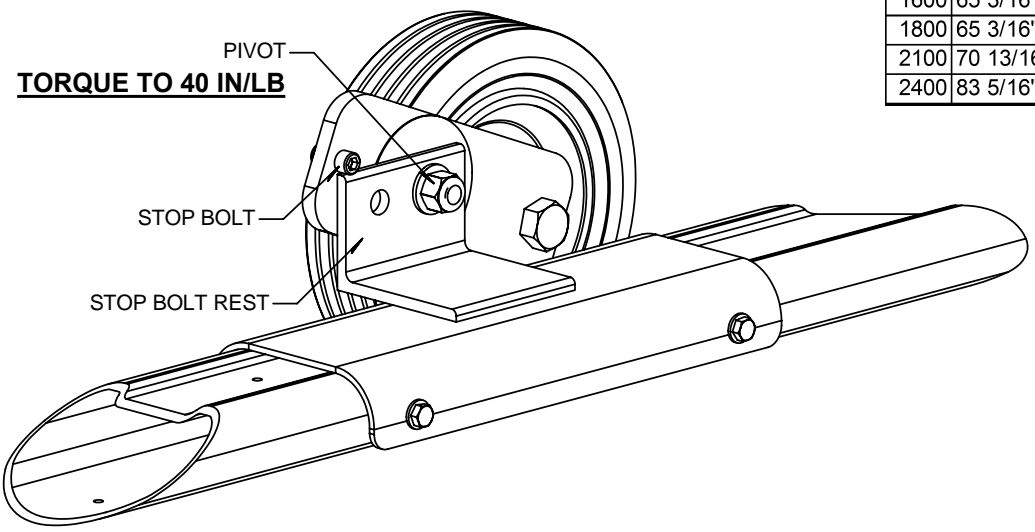
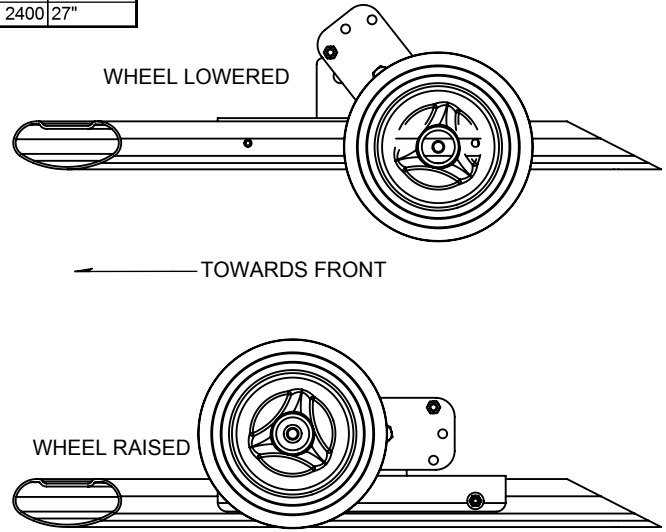
MOUNT WITH WHEELS ON OUTSIDE OF GOAL
WHEELS SHOULD SWING FORWARD TO LOWER



4 WHEELS PER GOAL
USE DIMENSIONS FROM TABLE BELOW
DIMENSION 'B' IS TO CENTER OF CHASSIS

DIM A	
1200	23"
1600	23"
1800	23"
2100	22 3/8"
2400	27"

DIM B	
1200	65 3/16"
1600	65 3/16"
1800	65 3/16"
2100	70 13/16"
2400	83 5/16"



LOCATE CHASSIS WITH DIMENSIONS ABOVE
AND DRILL $\varnothing 9/32$ " HOLES FOR FASTENERS

TO LOWER WHEEL, LIFT GOAL CORNER AND ROTATE WHEEL ABOUT PIVOT UNTIL STOP BOLT CONTACTS REST. LOWER GOAL CORNER.
TO RAISE WHEEL, LIFT CORNER AND ROTATE WHEEL ABOUT PIVOT UNTIL STOP BOLT IS CLEAR OF REST. LOWER GOAL CORNER.

NOTE: DO NOT COVER NET FASTENERS WITH WHEEL CHASSIS

NOTICE: THIS DRAWING MAY REVEAL DESIGNS OR INFORMATION PROPRIETARY TO PROFESSIONAL COMPONENTS LTD. BY ACCEPTANCE OF REPRODUCTIONS, RECIPIENTS AGREE TO PROTECT PROFESSIONAL COMPONENTS RIGHTS AND ARE WARNED AGAINST USE OF THE DOCUMENT FOR ANY PURPOSE OTHER THAN THAT FOR WHICH IT WAS ISSUED.

STANDARD FINISH: Z27
BREAK SHARP EDGES
DE-BURR HOLES

DIMENSIONS IN (mm)

UNSPECIFIED TOLERANCES:
X = ± 0.5
X.X = ± 0.25
X.XX = ± 0.1
X.XXX = ± 0.02

ANGLES ± 0.5° OR AS NOTED

APPROVALS	DATE (MM/DD/YY)	MATERIAL
		ASSEMBLY
DRAWN ---	---/---/---	FINISH NONE
CHECKED ---	---/---/---	CAD GENERATED DRAWING, DO NOT MANUALLY UPDATE DO NOT SCALE DRAWING

2074 Henry Avenue
Sidney, BC, CANADA
V8L 5Y1
Tel: 250.656.6165
1-888-726-7627



THE ULTIMATE ALUMINUM SPORTS GOAL
RETRACTABLE DM WHEEL SYSTEM

PROCESS GA	DWG. NO. SM-DM-WHEEL	SHEET SIZE: A	SCALE: 1:4	REV.: 01	SHEET: 2 OF 2
------------	----------------------	---------------	------------	----------	---------------