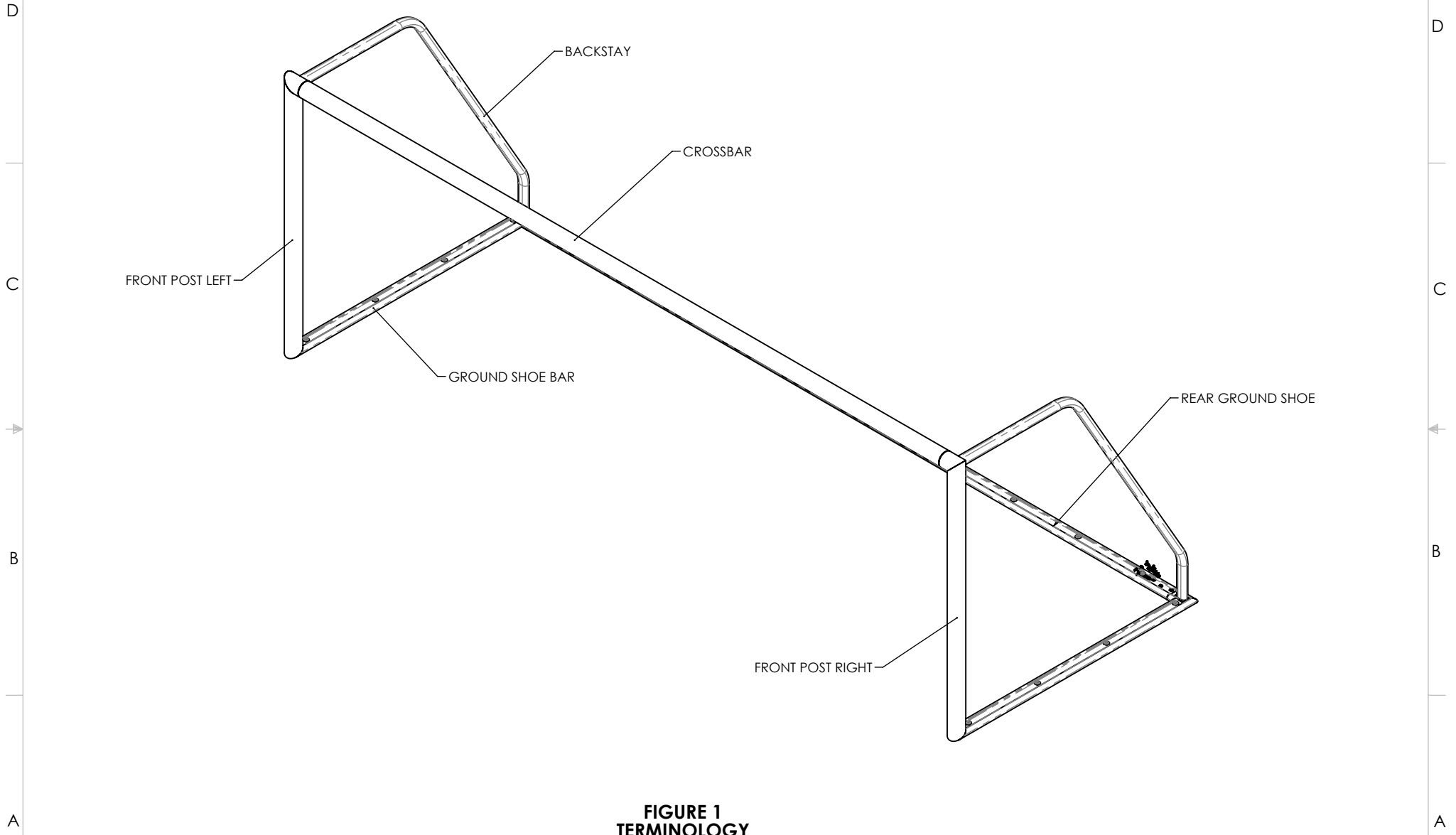


REVISIONS			
REV.	DESCRIPTION	DATE	APPROVED
00	ISSUED	1/25/2012	EP



**FIGURE 1
TERMINOLOGY**

NOTICE: THIS DRAWING MAY REVEAL DESIGNS OR INFORMATION PROPRIETARY TO PROFESSIONAL COMPONENTS LTD. BY ACCEPTANCE OF REPRODUCTIONS, RECIPIENTS AGREE TO PROTECT PROFESSIONAL COMPONENTS RIGHTS AND ARE WARNED AGAINST USE OF THE DOCUMENT FOR ANY PURPOSE OTHER THAN THAT FOR WHICH IT WAS ISSUED.

STANDARD FINISH 125
BREAK SHARP EDGES
DE-BURR HOLES

DIMENSIONS IN (mm)

UNSPECIFIED TOLERANCES:
 X = ± 0.5
 X.X = ± 0.25
 X.XX = ± 0.1
 X.XXX = ± 0.02

ANGLES ±0.5° OR AS NOTED

APPROVALS	DATE (MM/DD/YY)	MATERIAL
		ASSEMBLY
DRAWN ---	---/---/---	FINISH NONE
CHECKED ---	---/---/---	CAD GENERATED DRAWING, DO NOT MANUALLY UPDATE DO NOT SCALE DRAWING

2074 Henry Avenue
Sidney, BC, CANADA
V8L 5Y1
Tel: 250.656.6165
1-888-726-7627

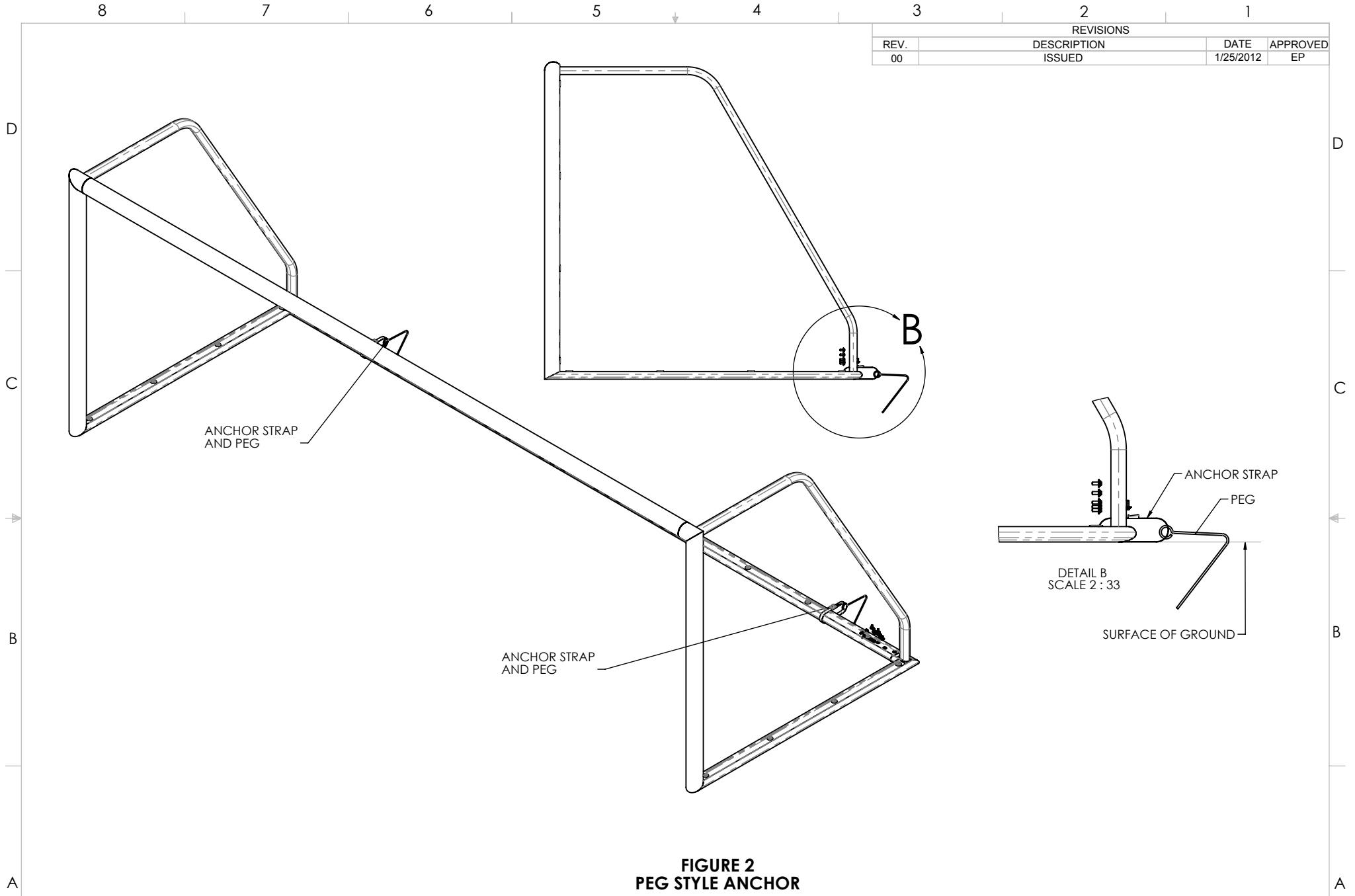


THE ULTIMATE ALUMINUM SPORTS GOAL

ANCHORING INSTRUCTIONS

SHEET SIZE: A SCALE: 1:33 REV.: 00 SHEET: 1 OF 4

REVISIONS			
REV.	DESCRIPTION	DATE	APPROVED
00	ISSUED	1/25/2012	EP



**FIGURE 2
PEG STYLE ANCHOR**

NOTICE: THIS DRAWING MAY REVEAL DESIGNS OR INFORMATION PROPRIETARY TO PROFESSIONAL COMPONENTS LTD. BY ACCEPTANCE OF REPRODUCTIONS, RECIPIENTS AGREE TO PROTECT PROFESSIONAL COMPONENTS RIGHTS AND ARE WARNED AGAINST USE OF THE DOCUMENT FOR ANY PURPOSE OTHER THAN THAT FOR WHICH IT WAS ISSUED.

DIMENSIONS IN (mm)
 STANDARD FINISH 125
 BREAK SHARP EDGES
 DE-BURR HOLES
 UNSPECIFIED TOLERANCES:
 X = ± 0.5
 X.X = ± 0.25
 X.XX = ± 0.1
 X.XXX = ± 0.02
 ANGLES ±0.5° OR AS NOTED

APPROVALS	DATE (MM/DD/YY)	MATERIAL
		ASSEMBLY
DRAWN ---	--/--	FINISH NONE
CHECKED ---	--/--	CAD GENERATED DRAWING, DO NOT MANUALLY UPDATE DO NOT SCALE DRAWING

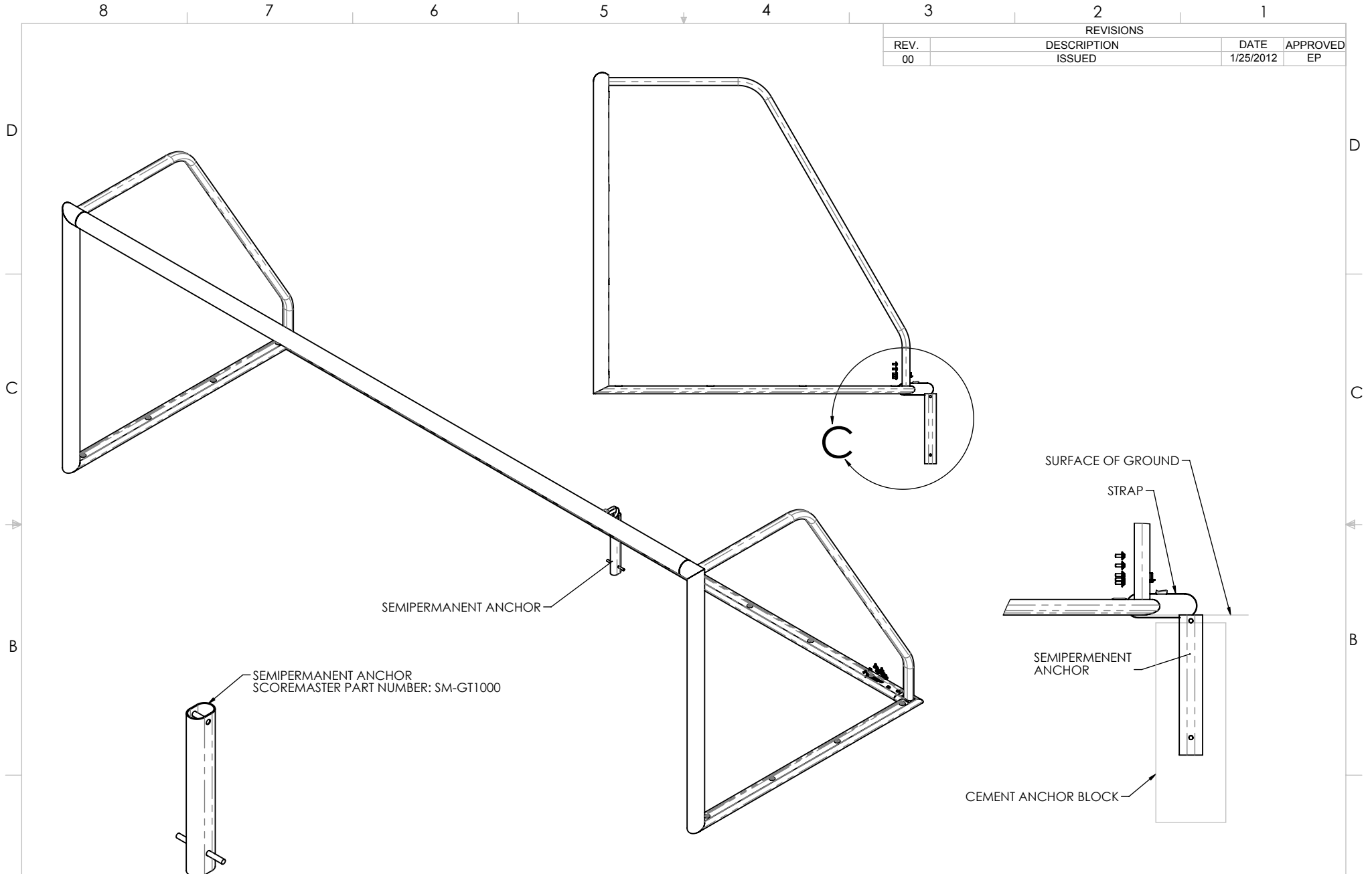
2074 Henry Avenue
 Sidney, BC, CANADA
 V8L 5Y1
 Tel: 250.656.6165
 1-888-726-7627



THE ULTIMATE ALUMINUM SPORTS GOAL
 ANCHORING INSTRUCTIONS

SHEET SIZE: A	SCALE: 1:33	REV.: 00	SHEET: 2 OF 4
---------------	-------------	----------	---------------

REVISIONS			
REV.	DESCRIPTION	DATE	APPROVED
00	ISSUED	1/25/2012	EP



**FIGURE 3
SEMIPERMANENT STYLE ANCHOR**

NOTICE: THIS DRAWING MAY REVEAL DESIGNS OR INFORMATION PROPRIETARY TO PROFESSIONAL COMPONENTS LTD. BY ACCEPTANCE OF REPRODUCTIONS, RECIPIENTS AGREE TO PROTECT PROFESSIONAL COMPONENTS RIGHTS AND ARE WARNED AGAINST USE OF THE DOCUMENT FOR ANY PURPOSE OTHER THAN THAT FOR WHICH IT WAS ISSUED.

DIMENSIONS IN (mm)
 STANDARD FINISH 125
 BREAK SHARP EDGES
 DE-BURR HOLES
 UNSPECIFIED TOLERANCES:
 X = ± 0.5
 X.X = ± 0.25
 X.XX = ± 0.1
 X.XXX = ± 0.02
 ANGLES ±0.5° OR AS NOTED

APPROVALS	DATE (MM/DD/YY)	MATERIAL
DRAWN ---	---/---/---	ASSEMBLY
CHECKED ---	---/---/---	FINISH NONE

CAD GENERATED DRAWING, DO NOT MANUALLY UPDATE
 DO NOT SCALE DRAWING

2074 Henry Avenue
 Sidney, BC, CANADA
 V8L 5Y1
 Tel: 250.656.6165
 1-888-726-7627



THE ULTIMATE ALUMINUM SPORTS GOAL
 ANCHORING INSTRUCTIONS

SHEET SIZE: A	SCALE: 1:33	REV.: 00	SHEET: 3 OF 4
---------------	-------------	----------	---------------

REVISIONS			
REV.	DESCRIPTION	DATE	APPROVED
00	ISSUED	1/25/2012	EP

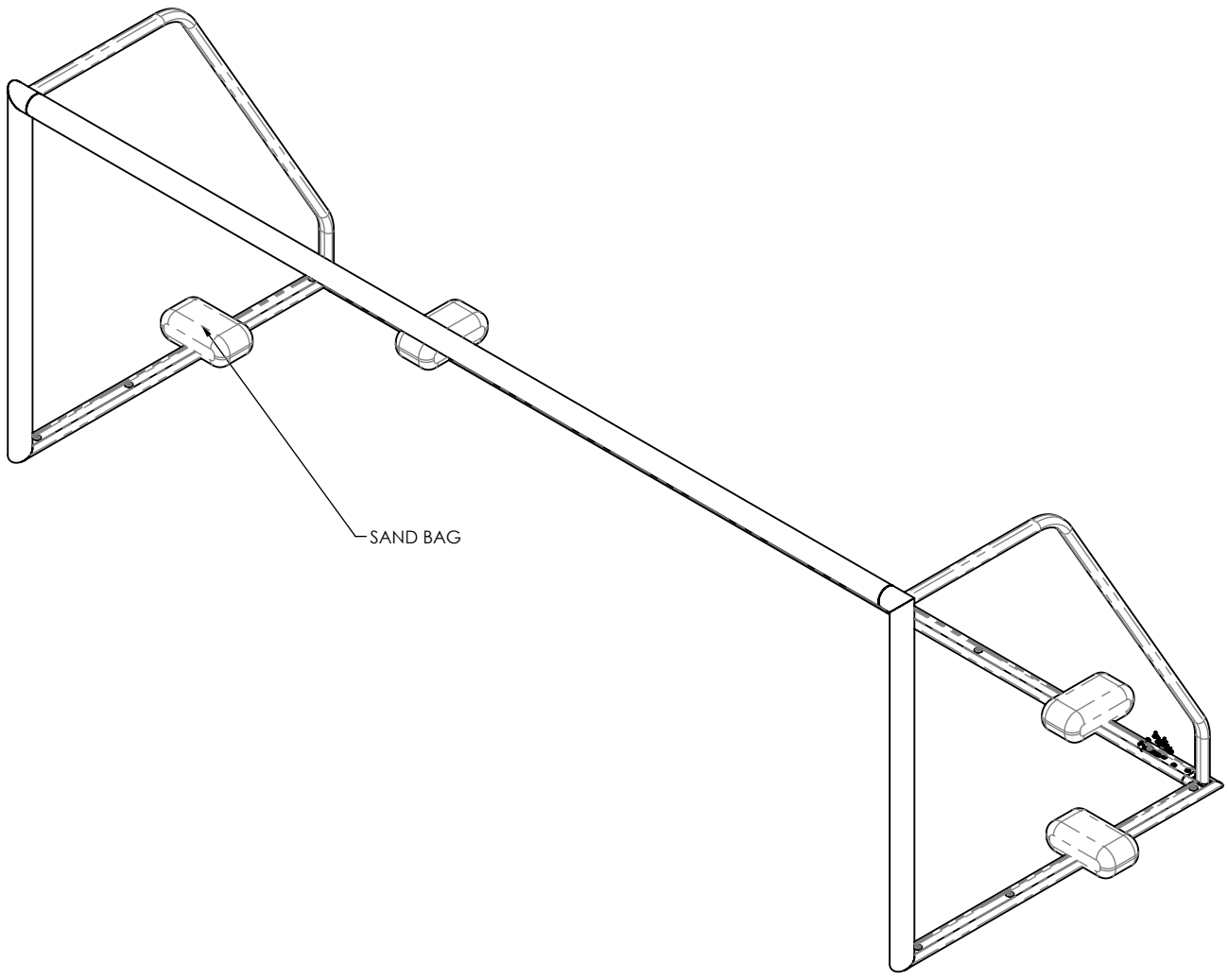


FIGURE 4
SANDBAG/COUNTERWEIGHT STYLE ANCHOR

NOTICE: THIS DRAWING MAY REVEAL DESIGNS OR INFORMATION PROPRIETARY TO PROFESSIONAL COMPONENTS LTD. BY ACCEPTANCE OF REPRODUCTIONS, RECIPIENTS AGREE TO PROTECT PROFESSIONAL COMPONENTS RIGHTS AND ARE WARNED AGAINST USE OF THE DOCUMENT FOR ANY PURPOSE OTHER THAN THAT FOR WHICH IT WAS ISSUED.

STANDARD FINISH 125
BREAK SHARP EDGES
DE-BURR HOLES

DIMENSIONS IN (mm)

UNSPECIFIED TOLERANCES:
X = ± 0.5
X.X = ± 0.25
X.XX = ± 0.1
X.XXX = ± 0.02

ANGLES ±0.5° OR AS NOTED

APPROVALS	DATE (MM/DD/YY)	MATERIAL
DRAWN ---	--/--	ASSEMBLY
CHECKED ---	--/--	FINISH NONE

CAD GENERATED DRAWING, DO NOT MANUALLY UPDATE
DO NOT SCALE DRAWING

2074 Henry Avenue
Sidney, BC, CANADA
V8L 5Y1
Tel: 250.656.6165
1-888-726-7627

PROCESS
SAND BAG



DWG. NO.
Anchoring

THE ULTIMATE ALUMINUM SPORTS GOAL

ANCHORING INSTRUCTIONS

SHEET SIZE: A SCALE: 1:33 REV.: 00 SHEET: 4 OF 4

